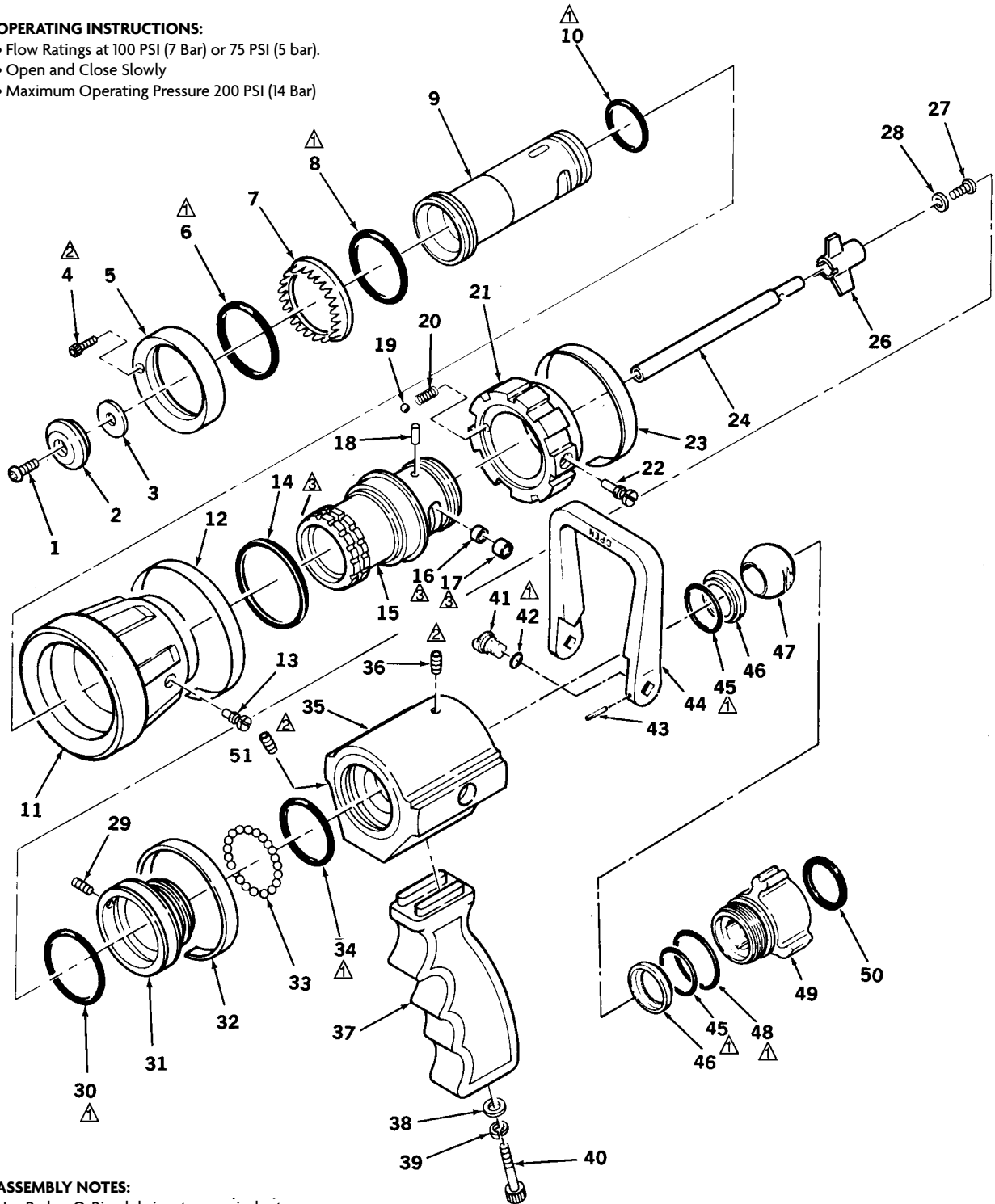


**OPERATING INSTRUCTIONS:**

- Flow Ratings at 100 PSI (7 Bar) or 75 PSI (5 bar).
- Open and Close Slowly
- Maximum Operating Pressure 200 PSI (14 Bar)



**ASSEMBLY NOTES:**

- △ Use Parker O-Ring lubricant or equivalent petroleum base lubricant
- △ Use Loctite 222 or Permabond LM 113
- △ Use Low-Temp Lubriplate



**STYLE 1762, 1763**  
**PYROLITE® TURBOJET®**  
**TECHNICAL SERVICE PARTS LIST**

ITEM NO.	DESCRIPTION	PART NUMBER	QUANTITY						
			1762	1763					
1	Socket Head Cap Screw	765182	1	1	39	Lock Washer	784090		1
2	Baffle Head	107967	1	1	40	Socket Head Cap Screw	763064		1
3	—	—	—	—	41	Trunnion	107860	2	2
4	Socket Head Cap Screw	767094	2	2	42*	O-Ring	757269	2	2
5	Turbine Retaining Ring	758202	1	1	43*	Roll Pin	744062	2	2
6	O-Ring	757309	1		44	Handle	721427	1	1
7*	Turbine Teeth	772153	1	1	45*	O-Ring	757268	2	2
8	O-Ring	757268	1	1	46*	Seat	769243	2	2
9	Discharge Tube (100 PSI)	110208	1	1	47*	Ball	704029	1	1
9	Discharge Tube (75 PSI)	115370	1	1	48*	O-Ring	757265	1	1
10	O-Ring	757341	1	1	49†	Swivel Assembly (1-1/2" NH)	45290002	1	1
11	Bumper Assembly	17620001	1	1	49†	Swivel Assembly (1-1/2" NPSH)	45290003	1	1
12	Pattern Indicating Band	704811	1	1	50*	Swivel Gasket 1-1/2"	717042	1	1
13	Pattern Stop	769489	1	1	51	Set Screw	766015	1	1
14	Seal	716046	1	1	††Parts not sold separately. Nozzle must be returned to the factory for repair. **Packet of 50 Locking Balls - P/N 109042				
15	Nozzle Body	110209	1	1					
16	Cam Roller - Short	758226	1	1					
17	Cam Roller - Long	758227	1	1					
18	Key Pin	727045	1	1					
19	Detent Ball	704018	1	1					
20	Detent Spring	769111	1	1					
21	Discharge Control Ring	758225	1	1					
22	Cam Axle	702074	1	1					
23	Discharge Control Band - GPM (100 PSI)	704889	1	1					
23	Discharge Control Band - LPM (7 bar)	704888	1	1					
23	Discharge Control Band - GPM (75 PSI)	704821	1	1					
24	Stem	††	1	1					
25	Spider	††	1	1					
27	Socket Head Button Screw	††	1	1					
28	Washer	††	1	1					
29	Set Screw	765025	1	1					
30	O-Ring	757340	1	1					
31	Adapter	110206	1	1					
32	I.D. Band	704881	1						
32	I.D. Band	704882		1					
33	Locking Balls	**	41	41					
34	O-Ring	757270	1	1					
35	Shutoff Body	107976	1						
35	Shutoff Body	108401		1					
36	Set Screw	765008	1	1					
37	Pistol Grip	718233		1					
38	Washer	784093		1					



PHONE: 330.264.5678 or 800.228.1161 | FAX: 330.264.2944 or 800.531.7335 | akronbrass.com

REVISED: 7/11

WARRANTY AND DISCLAIMER: We warrant Akron Brass products for a period of five (5) years after purchase against defects in materials or workmanship. Akron Brass will repair or replace product which fails to satisfy this warranty. Repair or replacement shall be at the discretion of Akron Brass. Products must be promptly returned to Akron Brass for warranty service.

We will not be responsible for: wear and tear; any improper installation, use, maintenance or storage; negligence of the owner or user; repair or modification after delivery; damage; failure to follow our instructions or recommendations; or anything else beyond our control. WE MAKE NO WARRANTIES, EXPRESS OR IMPLIED, OTHER THAN THOSE INCLUDED IN THIS WARRANTY STATEMENT, AND WE DISCLAIM ANY IMPLIED WARRANTY OF MERCHANTABILITY OR FITNESS FOR ANY PARTICULAR PURPOSE. Further, we will not be responsible for any consequential, incidental or indirect damages (including, but not limited to, any loss of profits) from any cause whatsoever. No person has authority to change this warranty.

© Akron Brass Company. 2011 All rights reserved. No portion of this can be reproduced without the express written consent of Akron Brass Company.